

● CHANNEL VISION™

10 Year Limited Warranty

Channel Vision Technology will repair or replace any defect in material or workmanship which occurs during normal use of this product with new or rebuilt parts, free of charge in the USA, for ten years from the date of original purchase. This is a no hassle warranty with no mail in warranty card needed. This warranty does not cover damages in shipment, failures caused by other products not supplied by Channel Vision Technology, or failures due to accident, misuse, abuse, or alteration of the equipment. This warranty is extended only to the original purchaser, and a purchase receipt, invoice, or other proof of original purchase date will be required before warranty repairs are provided.

Mail in service can be obtained during the warranty period by calling (800) 840-0288 toll free. A Return Authorization number must be obtained in advance and can be marked on the outside of the shipping carton.

This warranty gives you specific legal rights and you may have other rights (which vary from state to state). If a problem with this product develops during or after the warranty period, please contact Channel Vision Technology, your dealer or any factory-authorized service center.

● CHANNEL VISION™
channelvision.com

234 Fischer Avenue, Costa Mesa, California 92626
(714)424-6500 • (800)840-0288 • (714)424-6510 fax

500-184 revA1

INSTRUCTIONS

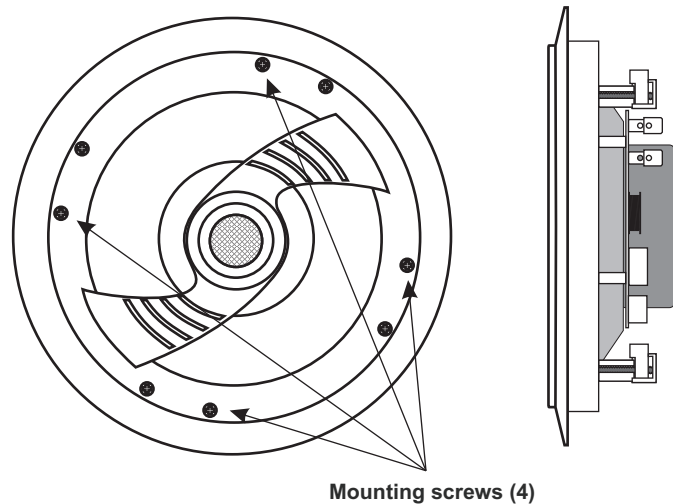


IC812 8" IN-CEILING SPEAKER

ARIA
BY ● CHANNEL VISION™

©2007 CHANNEL VISION TECHNOLOGY

Model IC812



Installation:

- Use the provided template to mark and cut a 9-1/2" hole in drywall away from ceiling joists.
- We recommend wiring with AWG 16 or larger, stranded wire.
- For proper phasing, both speakers must be wired alike. Connect red wires to red terminals on the speakers and to red or plus terminals on the amplifier.
- Install IC812 in the hole. Tighten the mounting screws. The mounting "dogs ears" will rotate outward and grip the drywall. **DO NOT OVER TIGHTEN** the screws. A battery operated drill on a "low clutch" setting is recommended.
- Aim tweeter
- To control the volume of the speaker locally, use an impedance matching volume control, such as the Channel Vision VC300.

Features:

- 8" High performance in-ceiling loudspeaker
- High power handling capacity
- Gold speaker terminals
- Proprietary pivoting "Pole Piece" technology with 1" voice coil.
- Polypropylene woofer with butyl rubber surround and an 18 ounce magnet
- Small perforated designer grille
- Recommended power: 20W to 180W (peak)

Specifications:

Frequency range:	35Hz - 20kHz \pm 6dB
Crossover:	12dB/octave (low pass) 12dB/octave (high pass)
Sensitivity:	91dB (1W/1m)
Power Handling:	180 Watts peak
Drivers:	1- 1" Soft dome tweeter 1- 8" polypropylene woofer
Magnet:	24-ounce ferrite magnet
Impedance:	8 ohms
Finish:	ABS plastic
Dimensions:	10-3/4" OD. 4-1/2" height (from surface of wall board) hole size: 9-1/2" diameter

Specifications subject to change without notice.